



# DURA-DOOR

**Dura-Door is the toughest walk door made by anyone! The Dura-Door was developed through years of application testing. Dura-Door will perform where others fail.**

Dura-Door features a laminated white aluminum, or FRP plastic-to-wood finish on both sides of an expanded polystyrene core. The door perimeter is reinforced with wood and capped with a heavy vinyl extrusion. The frame exterior is engineered wood with extruded aluminum trim. Dura-Door comes standard with stainless steel hardware and lites are available.

## **Dura-Door Properties:**

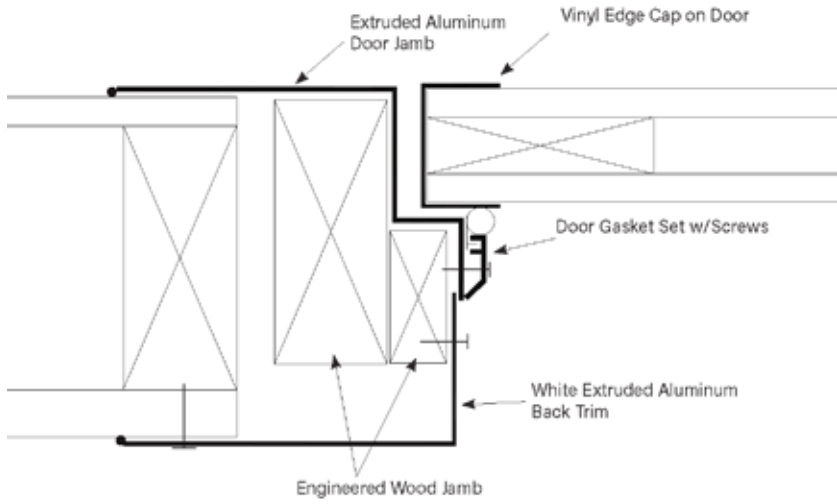
- Durable, heavy duty construction
- Stainless steel hinges and latch, wear resistant, sag resistant
- Pre-hung for fast installation
- Easily cleaned by chemical or steam
- USDA accepted finishes
- Moisture resistant
- Complete weather stripping, tight and draft free
- Vinyl extruded door plug capping, chip and split resistant
- Laminated door slab, rigid, warp resistant
- EPS insulated core, non CFC containing, R-5 condensation control
- 10" x 10" or 20" x 24" lite available
- Stainless steel deadbolt available

## **Dura-Door Uses:**

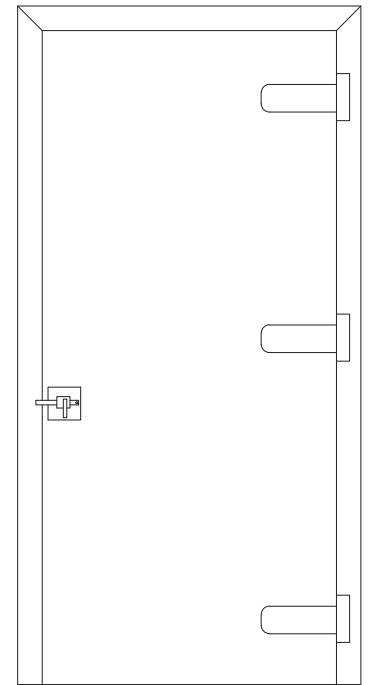
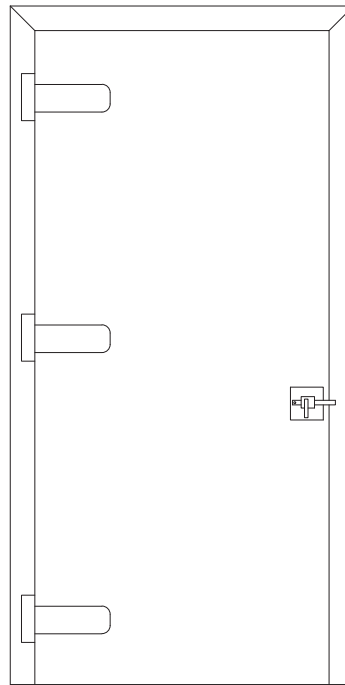
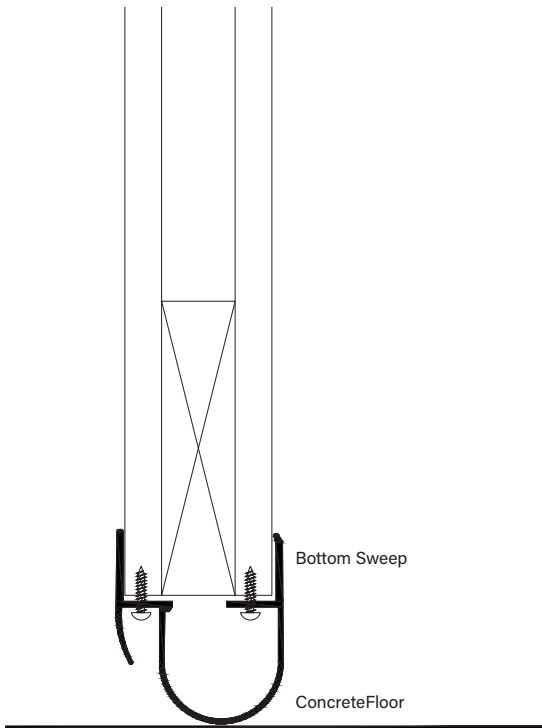
- Hog and dairy confinement
- General farm use
- Industrial applications
- Food processing



**Includes:** Door plug, door frame, heavy duty stainless steel hinges, drop bar latch, and heavy duty extruded aluminum jamb trim with weather stripping. Pre-hung and individually packed for shipping.



Stainless Steel Dura Latch



**Energy Panel Structures**

603 N. Van Gordon Ave., Graettinger, IA 51342  
232 Semo Lane, Perryville, MO 63775

**712-859-3219**  
**epsbuildings.com**

Available in six standard sizes and custom sizes when requested.

**DOOR SIZE**

- 2' 0" X 6' 8"
- 2' 6" X 6' 8"
- 3' 0" X 6' 8"
- 3' 6" X 6' 8"
- 4' 0" X 6' 8"
- 6' 0" X 6' 8" (Double)

**ROUGH OPENING**

- 28" X 82 1/2"
- 34" X 82 1/2"
- 40" X 82 1/2"
- 46" X 82 1/2"
- 52" X 82 1/2"
- 76" X 82 1/2"